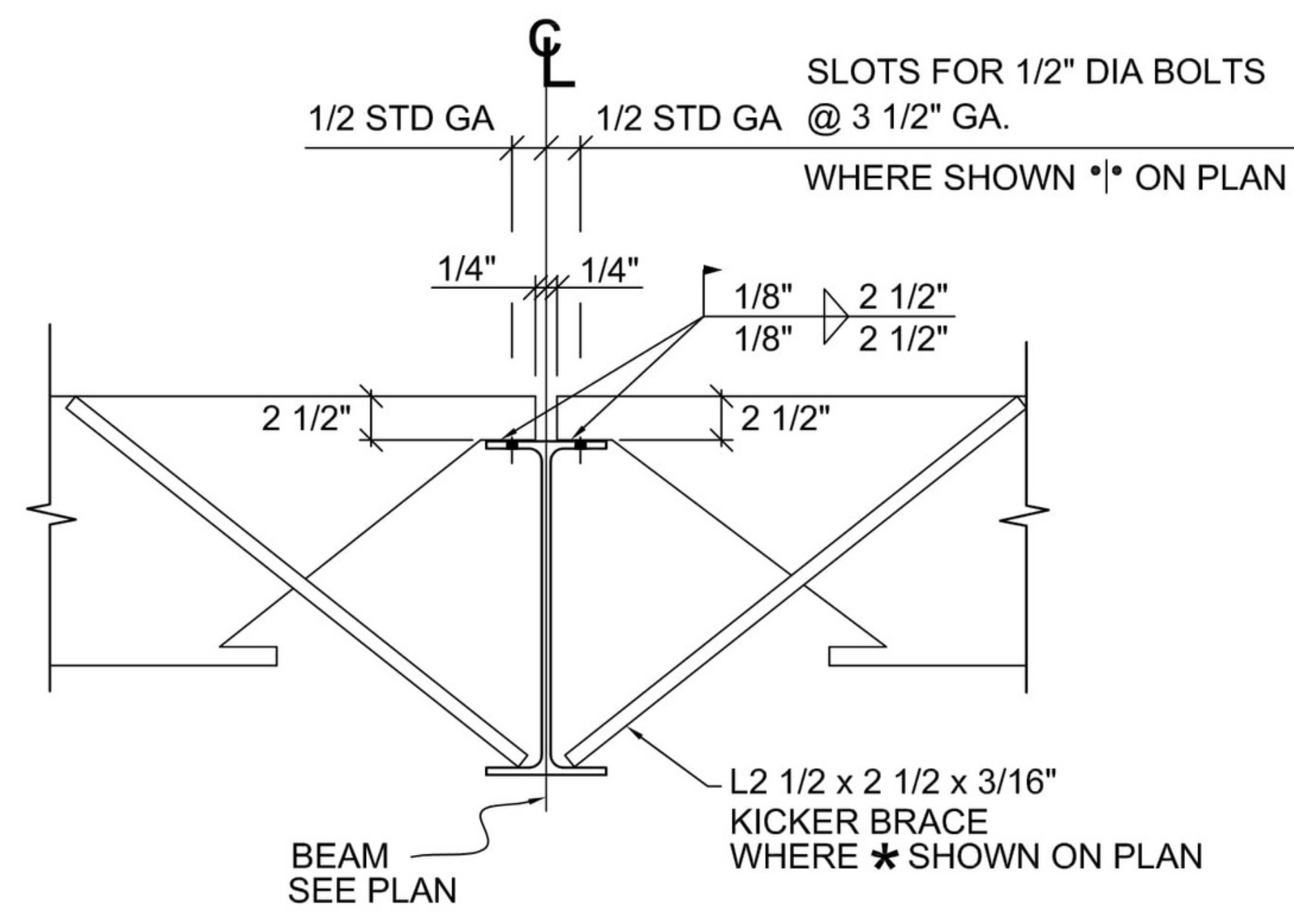


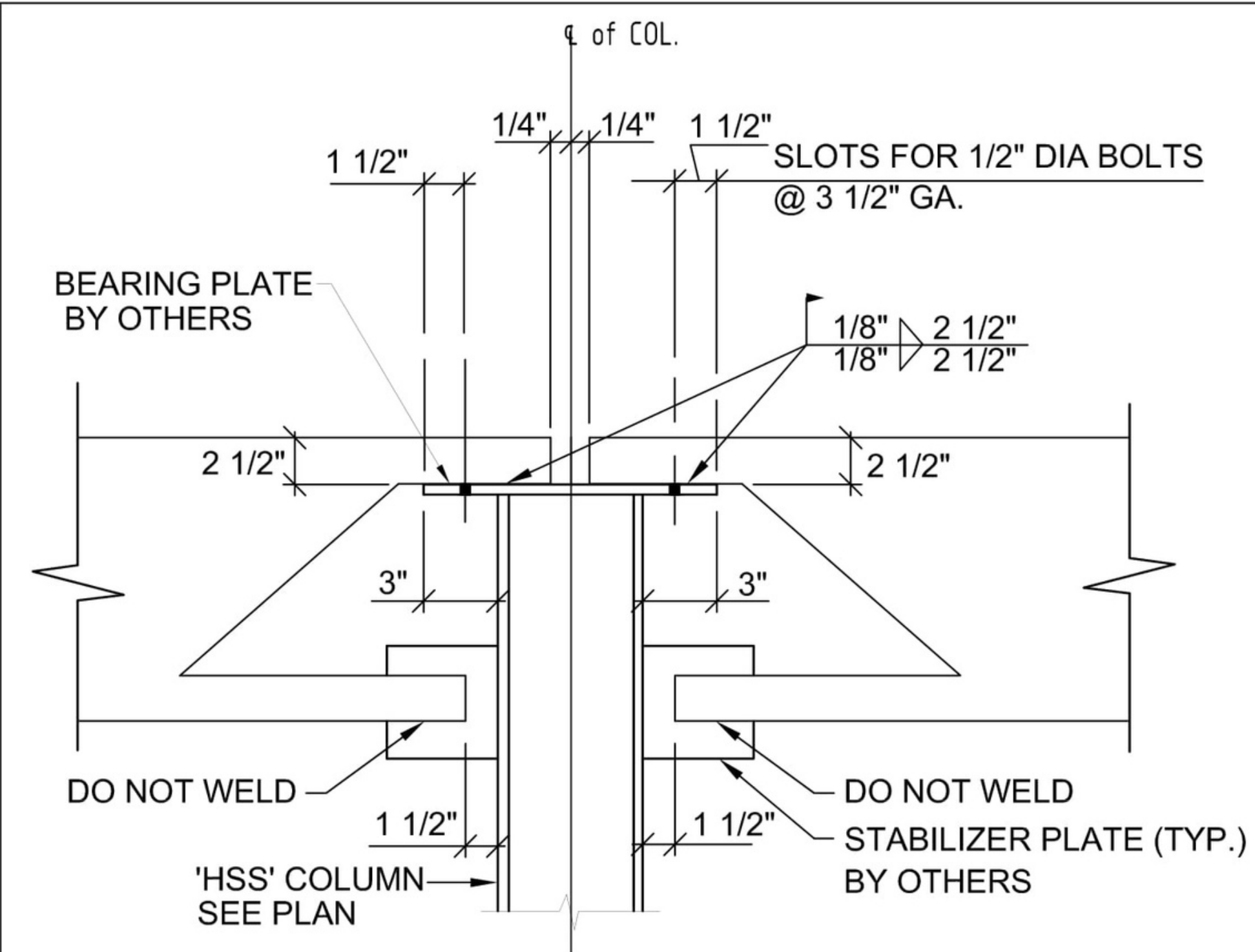
**JOIST SECTION 1**

REF: 2, 3, 4/S3.2  
REF: 3A, 3B/S4.3



**JOIST SECTION 2**

REF: 8/S4.3  
REF:



**JOIST SECTION 3**

REF: 9/S4.3  
REF:

**FOR FIELD USE**



*A Fabricator's Friend*