

DRAWING INDEX	
SHEET. #	DWG. NAME
D1	DECK COVER - TITLE PAGE
D2	ROOF DECK ERECTION PLAN
D3	DECK SECTIONS

DECK ERECTION NOTES
REFER TO THE STEEL DECK INSTITUTE'S (SDI) DESIGN MANUAL AND ITS MANUAL OF CONSTRUCTION (MOC)

GC / ERECTOR NOTE:

DO NOT ERECT STEEL DECK WITHOUT OBTAINING A COPY AND THOROUGHLY READING SDI MOC. SERIOUS INJURY OR DEATH CAN RESULT FROM FAILURE TO FAMILIARIZE AND COMPLY WITH ALL APPLICABLE SAFETY REQUIREMENTS OF FEDERAL, STATE, AND LOCAL REGULATIONS AND THE SAFETY GUIDELINES OUTLINED IN THE SDI MOC. THIS MANUAL IS INTENDED TO BE AN AID AND GENERAL GUIDE FOR THE SAFE AND PROPER ERECTION OF STEEL DECK.

SDI MOC IS AVAILABLE FROM:

STEEL DECK INSTITUTE	PHONE: 412-487-3325
P.O. BOX 426	FAX: 412-487-3326
GLENSHAW, PA 15116	WEB: WWW.SDI.ORG

DECK DELIVERY AND UNLOADING:

1. THE GENERAL CONTRACTOR (GC) AND/OR THEIR DESIGNATE SHALL TAKE FULL RESPONSIBILITY OF THE CARGO DURING THE OFF LOADING PROCESS, AS WELL AS COUNT AND VERIFY THAT THE QUANTITIES AND CONDITION OF DECK AND ACCESSORIES ARE IN AGREEMENT WITH THE BILL OF LADING PRIOR TO THE CARRIER LEAVING THE UNLOADING ZONE. ANY SHORTAGES, DAMAGES OR DISCREPANCIES IN BUNDLES AND OR SHEETS WITHIN BUNDLES SHOULD BE NOTED ON THE BILL OF LADING PRIOR TO SIGNING FOR THE MATERIAL AND THE DECK MANUFACTURER SHOULD BE IMMEDIATELY NOTIFIED.
2. THE MATERIAL LISTED ON THE BILL OF LADING ARE THE ONLY ITEMS BEING SUPPLIED.
3. EXERCISE CARE WHEN UNLOADING DECK. BUNDLE STRAPS APPLIED AT FACTORY ARE TO REMAIN ON BUNDLE UNTIL PLACED FOR ERECTION AND SHEETS ARE READY TO SPREAD. BUNDLES MUST BE RIGGED FOR LIFTING SO THAT SHIFTING AND EXCESSIVE TIPPING WILL NOT OCCUR AND THE LIFTING DEVICE WILL NOT DAMAGE THE DECK. SEE SDI MOC.
4. IF DECK BUNDLES ARE STORED ON THE GROUND, A PLASTIC COVER SHOULD BE PLACED UNDER THE BUNDLES TO MINIMIZE CONDENSATION OF WATER FROM THE GROUND ONTO THE DECK. THE STEEL DECK SHALL BE STORED OFF THE GROUND WITH ONE END ELEVATED TO PROVIDE DRAINAGE AND ALLOW AIR CIRCULATION. BUNDLES SHOULD BE STACKED SO THAT THERE IS NO DANGER OF TIPPING, SLIDING, ROLLING, SHIFTING OR MATERIAL DAMAGE. WET, UNCURED OR CHEMICALLY PRETREATED LUMBER SHOULD NOT COME INTO DIRECT CONTACT WITH THE BUNDLES.
5. THE DECK SHALL BE PROTECTED FROM THE ELEMENTS BY A VENTILATED WATERPROOF COVERING TO AVOID CONDENSATION.

DECK INSTALLATION:

6. ERECT ALL DECK PRODUCTS AND ACCESSORIES IN ACCORDANCE WITH THE SPECIFICATIONS OF THE SDI.
7. ONLY PLANS HAVING A "FIELD USE" STAMP SHALL BE USED FOR ERECTION.
8. DECK BUNDLES MUST ALWAYS BE PLACED ON THE FRAME NEAR A MAIN SUPPORTING BEAM, AT A COLUMN, OR WALL AND ADJUSTED TO THE FINAL POSITION WITH ALIGNED SIDELAPS AND END BEARING. IT IS RECOMMENDED THAT CHALK LINES BE USED TO ACCURATELY LOCATE SUPPORTING MEMBERS BEFORE PERMANENTLY FASTENING THE DECK UNITS. IN NO CASE SHALL THE BUNDLES BE PLACED ON UNBOLTED FRAMES OR ON UNATTACHED OR UNBRIDGED JOISTS.
9. OSHA FEDERAL REGISTER SUBPART R 1926.757 INCLUDES REQUIREMENTS AS TO HOW AND WHEN DECK BUNDLES MAY BE LANDED ON OPEN WEB STEEL JOISTS DURING THE STRUCTURE'S ERECTION. THIS OSHA REGULATION MUST BE EXAMINED BY ANYONE ENGAGED IN THIS ACTIVITY, SUCH THAT ALL CRITERIA IS UNDERSTOOD AND MET.
10. EACH UNIT SHALL BE BROUGHT TO PROPER BEARING ON THE SUPPORT TO PREVENT SLIP OFF. MINIMUM BEARING OF DECK ENDS ON SUPPORTS SHALL BE 1 1/2" FOR ALL DECKS EXCEPT 2" DEEP FLOOR DECKS REQUIRE 2" AND 3" DEEP FLOOR DECKS REQUIRE 2 1/2" AND IN NO CASE LESS THAN 1 1/2". THE DESIGNER MUST CHECK WEB CRIPPLING IF BEARING IS LESS THAN LISTED. THE DESIGNER MAY HAVE SPECIFIED BEARING ABOVE THE MINIMUM REQUIREMENTS; ENSURE PROJECT SPECIFIC BEARING REQUIREMENTS ARE MET.
11. IF THE SUPPORTING BEAMS AND/OR JOISTS ARE NOT PROPERLY ALIGNED OR SUFFICIENTLY LEVEL TO PERMIT PROPER BEARING OF THE UNITS, THE DECK ERECTOR SHALL BRING THE MATTER TO THE ATTENTION OF THE GC FOR CORRECTION. DECK UNITS ARE NOT TO BE PLACED UNTIL NECESSARY CORRECTIONS ARE MADE.
12. THE DECK ERECTOR SHALL ADJUST AND FIELD CUT UNITS AS REQUIRED FOR DECK LENGTHS SHORTER THAN 6'-0" AND AT OPENINGS, WHICH ARE NOT SHOWN ON THE O'DONNELL DRAFTING FIELD USE DRAWINGS.
13. TO FORM A WORKING PLATFORM, IMMEDIATELY FASTEN DECK PANELS TO THE SUPPORTS IN ACCORDANCE WITH OSHA REGULATION 29CFR SECTION 1926.754(E), PER SECTION 1926.754(E)(2). RUN DECK UNITS CONTINUOUSLY OVER OPENINGS WHEN POSSIBLE, UNLESS OTHERWISE NOTED ON STRUCTURAL DRAWINGS. OPENINGS THROUGH THE DECK SHOWN ON O'DONNELL FIELD USE DRAWINGS, AS WELL AS SKEMED AREAS, SHALL BE CUT IN THE FIELD BY THE DECK ERECTOR. OPENINGS REQUIRED THROUGH THE DECK UNIT THAT ARE NOT SHOWN ON THE O'DONNELL FIELD USE DRAWINGS SHALL ALSO BE CUT IN THE FIELD AND REINFORCED, IF NECESSARY, IN ACCORDANCE WITH THE CONTRACT DOCUMENTS AND THE SDI MOC.

DECK ATTACHMENT:

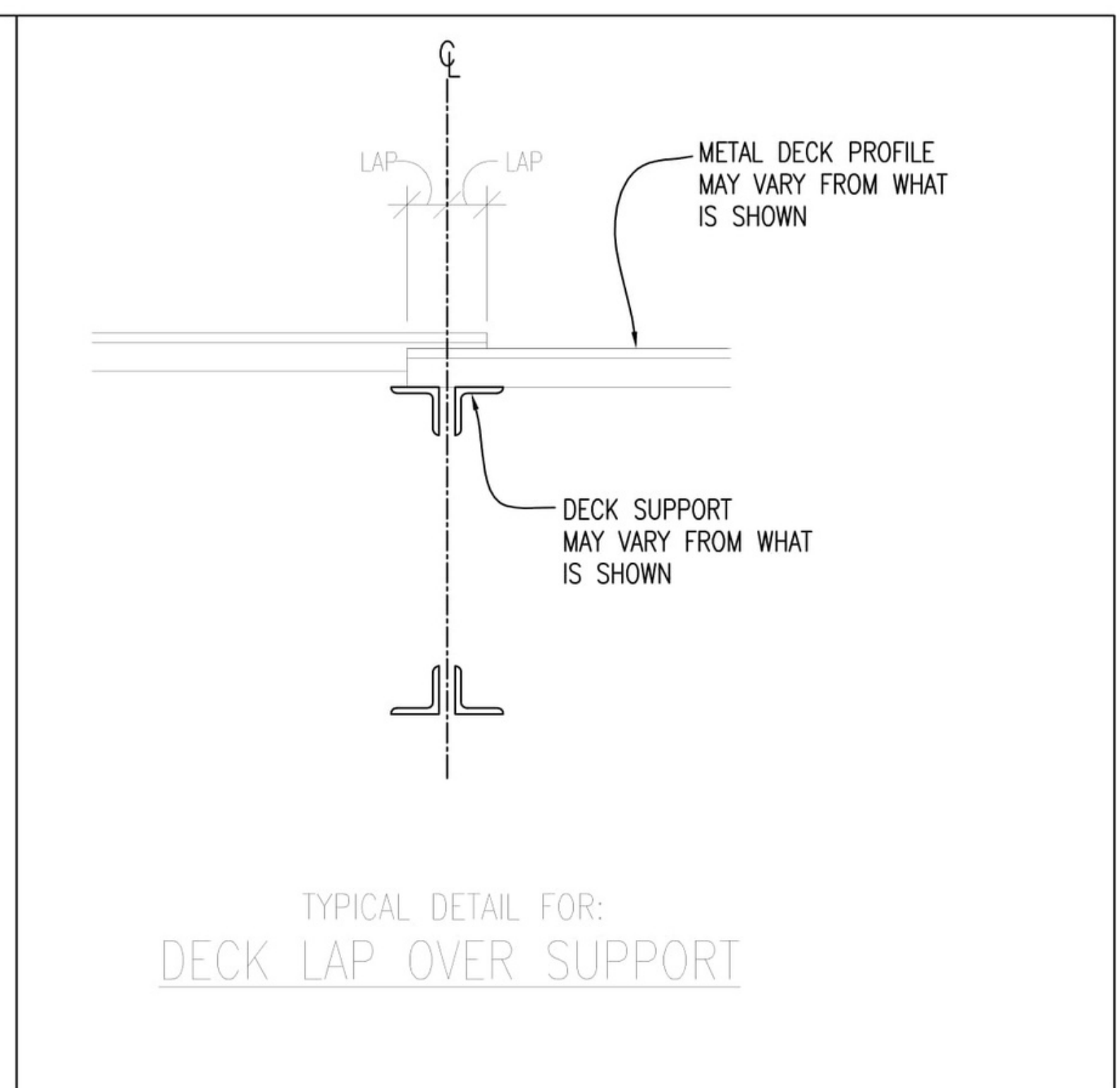
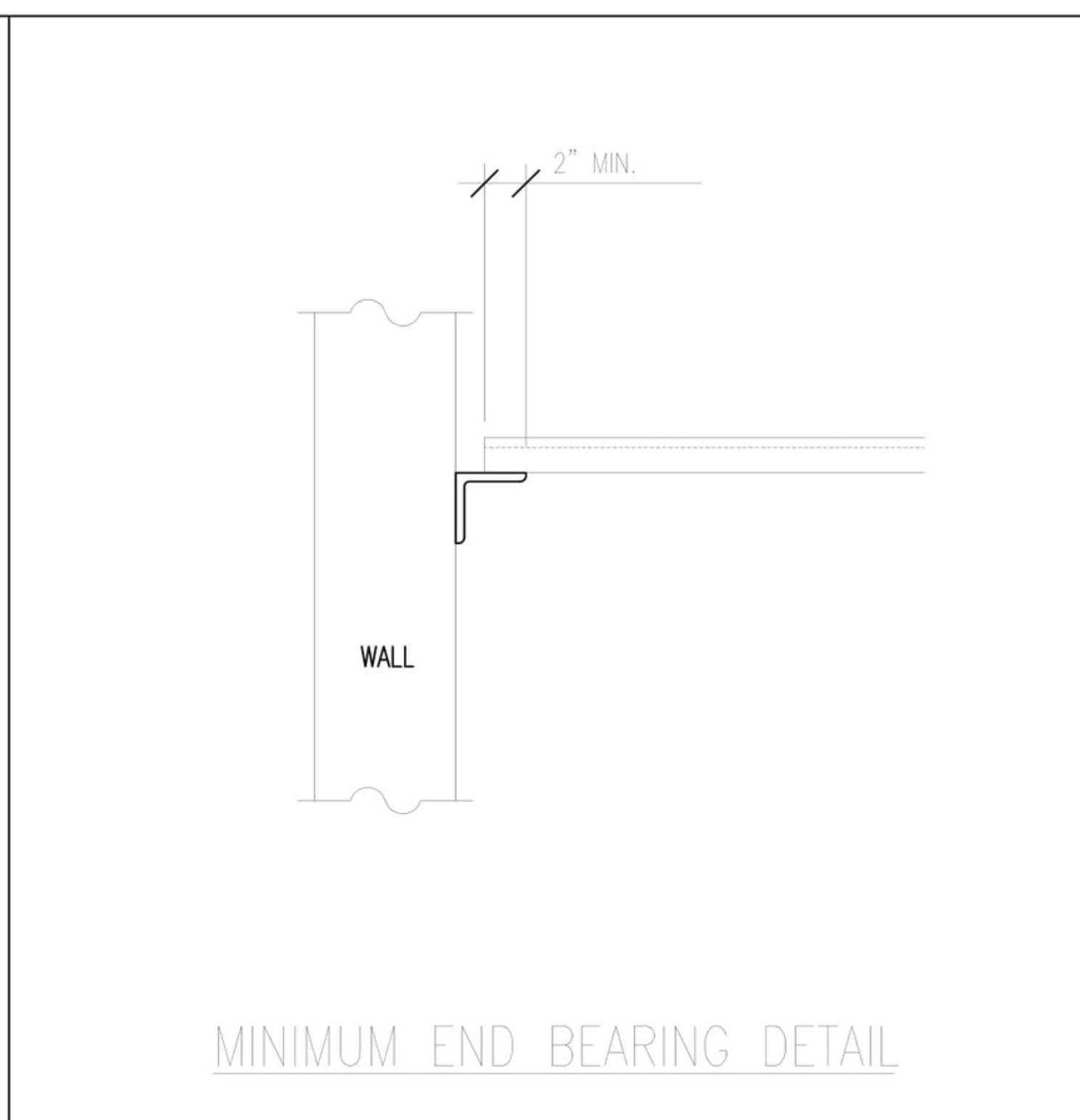
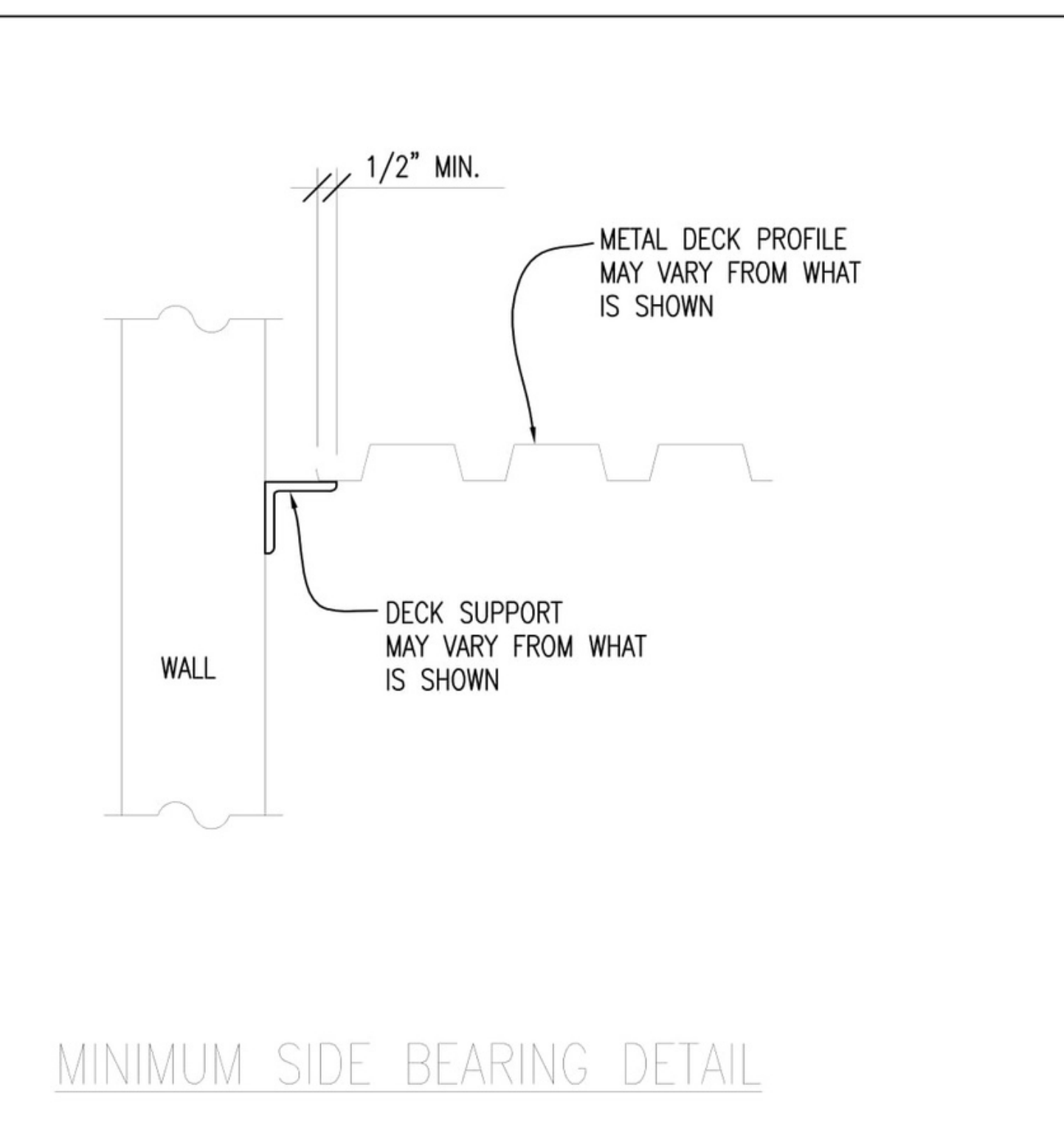
14. ALL WELDING OF DECK UNITS SHALL BE IN STRICT ACCORDANCE WITH ANSI/AWS D1.3 STRUCTURAL WELDING CODE FOR SHEET STEEL AND SHALL PROVIDE LATERAL STABILITY TO THE TOP FLANGE OF THE SUPPORTING STRUCTURAL MEMBERS. EACH WELDER MUST DEMONSTRATE AN ABILITY TO PRODUCE SATISFACTORY WELDS USING A PROCEDURE AS SHOWN IN THE SDI MOC OR AS SPECIFIED IN ANSI/AWS D1.3.
15. WHEN WELDING, ALL WELDS ARE MADE FROM THE TOP OF THE DECK DOWN THROUGH THE LAPS. ARC SPOT WELDS SHOULD PENETRATE AND ATTACH ALL THICKNESSES OF MATERIAL TO THE STRUCTURAL SUPPORTS. CARE IN THE SELECTION OF ELECTRODES AND AMPERAGE SHOULD BE EXERCISED TO ENSURE POSITIVE ATTACHMENT.

O'DONNELL GENERAL NOTES:

16. NIC - NOT IN CONTRACT. UNO - UNLESS NOTED OTHERWISE.
17. TOUCH UP OF DECK FINISH AT WELD LOCATIONS OR OTHERWISE IS INSTALLERS RESPONSIBILITY.
18. CONCRETE PLACEMENT PROCEDURES SHALL AVOID HIGH PILE UPS OF CONCRETE OR IMPACTS CAUSED BY DROPPING OR DUMPING. DO NOT EXCEED LOAD CARRYING CAPACITY OF STEEL DECK WITH CONSTRUCTION LOADS AND EQUIPMENT.
19. CONCRETE WITH CALCIUM CHLORIDE OR ANY OTHER ADMIXTURE CONTAINING CHLORIDE SALTS SHALL NOT BE USED WITH ANY STEEL DECK. INSULATION IN CONTACT WITH STEEL DECK CAN BE VERY CORROSIVE WHEN WATER IS PRESENT. WOOD FIBER BOARD INSULATION CONTAINING CONCENTRATED LEVELS OF CHLORINE IS HIGHLY CORROSIVE TO STEEL DECK AND IS NOT RECOMMENDED.
20. PRESSURE TREATED LUMBER HAS BEEN SHOWN TO BE HIGHLY CORROSIVE WHEN IN DIRECT CONTACT WITH SHEET METAL AND IS TO BE AVOIDED. SDI RECOMMENDS A BARRIER OF WATER AND ICE SHIELD OR EQUIVALENT TO BE USED BETWEEN PRESSURE TREATED LUMBER AND STEEL DECK PRODUCTS OR ACCESSORIES.
21. DESIGN RESPONSIBILITY: PER THE SDI CODE OF STANDARD PRACTICE, THE SELLER AND MANUFACTURER SHALL ASSUME NO RESPONSIBILITY OTHER THAN TO FURNISH MATERIALS SPECIFIED. FURTHERMORE, THE DESIGNER IS RESPONSIBLE FOR SPECIFYING DECK TYPES, GAGES, FINISHES, ATTACHMENTS AND BEARING CONDITIONS TO FACILITATE ALL LOADING, DEFLECTION, SPAN AND EXPOSURE CONDITIONS. THE COORDINATION OF SHORING REQUIREMENTS IS THE RESPONSIBILITY OF THE DESIGNER AND THE GENERAL CONTRACTOR.

CONTRACT NOTE:

O'DONNELL WILL NOT ACCEPT THE RESPONSIBILITY OR CHARGES FOR ANY FIELD CORRECTIONS MADE WITHOUT PRIOR O'DONNELL APPROVAL.



SYMBOLS

	= SUGGESTED ERECTION STARTING POINT
	= ROOF SUMP PAN SHOWN FOR GENERAL LOCATION ONLY. EXACT LOCATION TO BE VERIFIED IN FIELD.
	= FIELD CUTTING OF DECK REQUIRED
	= TEMPORARY SHORING REQUIRED. (SHORING IS BY OTHERS)
	= FIELD CUT OPENING BY OTHERS.
	= CENTERLINE

FOR FIELD USE



A Fabricator's Friend